

HEAVY DUTY 2-POST LIFT

FREEDOMLIFT

The superior, flexible 2-post lift offering optimal workshop space and efficiency. Capacities: 16,000 lbs / 20,000 lbs / 26,000 lbs / 30,000 lbs

ster til® **K O N I**
FREEDOMLIFT



STER TIL
SUPERIOR SOLUTIONS BY
QUALITY PEOPLE

Superior solutions by quality people



The Stertil Group provides customized and technically advanced solutions for heavy-duty lifting requirements and dock equipment for customers worldwide, including the best possible service from skilled local partners.

These superior solutions are conceived, developed and implemented by a team of professional specialists with unique expertise. Thanks to its quality people, its entirely in-house expertise and its international organization, Stertil-Koni is a worldwide leader in the field of heavy-duty lifting.

Unique in flexibility and freedom of movement

Due to its unrivalled flexibility, the 2-post FREEDOMLIFT provides a superior solution for lifting a wide variety of vehicles from large commercial vans to smaller, heavy-duty vehicles, such as utility vehicles, pick-up trucks and para-transit vehicles.

The concept of the FREEDOMLIFT is ingenious and simple. The telescopic support arms allow the 2-post lift to easily and quickly be adjusted. Maximum flexibility is provided by FREEDOMLIFT models with double telescopic arms. The FREEDOMLIFT's modern design has resulted in a very stable 2-post lift without a base and an absence of any rigid overhead cross-bar. This means that the FREEDOMLIFT can be fitted in almost any workshop. The mechanic has unobstructed, optimal access to the raised vehicle.

Stertil-Koni 2-Post FREEDOMLIFT



Three models with lifting capacities
of up to 30,000 lbs

The FREEDOMLIFT range consists of four models
with capacities from 16,000 lbs up to 30,000 lbs.
Various arm configurations are possible.

- SK 2.16: max. lifting capacity 16,000 lbs
- SK 2.20: max. lifting capacity 20,000 lbs
- SK 2.26: max. lifting capacity 26,000 lbs
- SK 2.30: max. lifting capacity 30,000 lbs



Stability by means of sophisticated design

The FREEDOMLIFT's stability and safety has been enhanced by innovative design with sophisticated construction and intelligent technology. The 2-post lift and lifting arms are streamlined and strong at the same time.

Multiple automatic features - both mechanical and hydraulic, ensure maximum safety:

- Intelligent synchronization by means of proportional control valves
- Independently mechanical locking system engages at 8" above floor level
- Locking pawl engaged by gravity
- Locking system is always active even when the 2-post lift is turned off
- Locking profile with locking increments of just 1 3/8"
- Automatic overload protection
- Automatic arm locking
- Ergonomic design with no sharp edges
- Compact foot plates minimize the risk of tripping
- Automatic limiter when highest position is reached
- Hold-to-run buttons on the control panel

Safety, Stability & Convenience



- Emergency stop on the control panel
- Advanced synchronization between the posts starts at a height difference of 9/16 of an inch
- Proportional hydraulic control valve system which allows smooth operation
- All critical components, for example, hydraulic lines and electrical cables, are shielded in the posts and in overhead aluminum tubes

Automatic arm locking

The FREEDOMLIFT models with single and double telescopic arms have automatic arm locking for added working convenience and safety:

- Special arm-release handles on the single and double telescopic arms enable easy manual and precise positioning of the lifting arms when the arms are elevated from the floor and close to the pick-up points**
- The automatic arm locking system is reliable and requires low maintenance

**does not apply to SK 2.16EFA

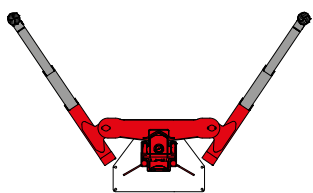


Extended Flex Arms (EFA)

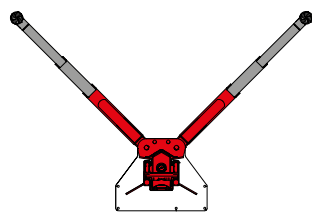
The SK 2.16EFA offers maximum flexibility due to its double telescopic arms and hinged elbow joints, thus suitable for personal vehicles and larger commercial vans.

Extensively tested & reliable

The FREEDOMLIFT's hydraulic system has a minimum of moving parts and has been tested with more than 20,000 lifting and lowering cycles at maximum lifting capacity. These test results guarantee longevity and safe use in the workshop.



SK 2.16EFA



SK 2.16

All FREEDOMLIFT models are approved by official inspection authorities:

- CE certified (Europe)
- ANSI/ALI-ALCTV certified (USA)
- CSA certified (Canada)

Flexible and Efficient



Efficient

- Short lifting and lowering times
- Quick and easy installation with adjustable width for almost any standard workshop floor

Single and double telescopic lifting arms

The FREEDOMLIFT is available with single and double telescopic lifting arms or a combination of both, as well as the extended flexible arm version (EFA).



Good return on investment

The FREEDOMLIFT is the new standard in flexibility, ergonomics, safety and reliability. Steril-Koni products are produced from high quality materials, meaning low-maintenance costs throughout the lifetime of the lift.

Innovative sliding block system

The innovative sliding block system provides optimal load distribution. This state-of-the-art system is reliable and extremely durable and has been tested under maximum load with more than 20,000 lifting cycles.

Durable & Solid



Options

- Strong, durable, energy-efficient LED lighting, two tubes per post
- Second control box for convenient operation of the lift at both posts
- Underfloor connection kit
- A wide range of adaptors are available for a variety of vehicle brands and models
- Magnetic tool tray which attaches to the arms of the lift

Features Benefits



Ergonomic control panel

The specially designed FREEDOMLIFT control panel allows for ergonomic operation and is equipped with an integrated switch for the optional LED lighting.

Reliable Electro-hydraulic system

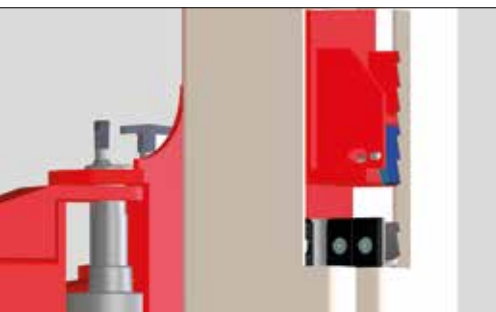
The hydraulic cylinders are extensively tested and mounted in the posts so they are fully protected from dirt and moisture.

Convenient installation

Installation of the FREEDOMLIFT is easy and quick due to the short height of the posts and the effective design of the post base plates.

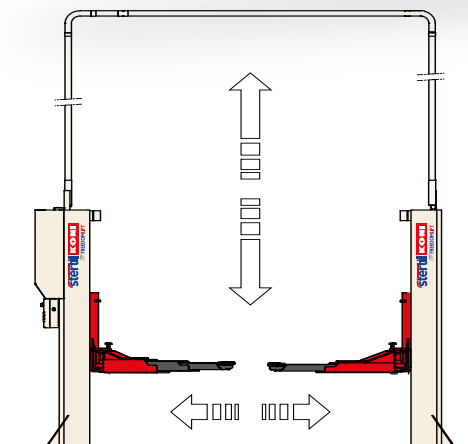
Safety, Safety is priority # 1

- Independently mechanical locking system engages at 8" above floor level with locking increments of just 3 1/8"
- Locking pawl engaged by gravity
- Advanced synchronization between the posts starts at a height difference of 9/16"
- Automatic overload protection



Flexible with ample working space

The robust FREEDOMLIFT 2-post lift is efficiently designed, threshold and rigid top-beam-free. The overhead aluminum tube (see diagram) is only for the protection of the hydraulic lines and electrical cables.



and efits



Single and double telescopic lifting arms

FREEDOMLIFT SK 2.20, SK 2.26 and SK 2.30 are available with single and double telescopic lifting arms or a combination of both. The FREEDOMLIFT SK 2.16 model is available with extra space double telescopic lifting arms and wide-positioned, double telescopic lifting arms (EFA) for maximum flexibility.



Easy to adjust

The FREEDOMLIFT is constructed with integrated sliding plates in the arms to assure easy adjustment of the arms. Manual adjusting and unlocking of the arms is possible by using the special arm release handles**.

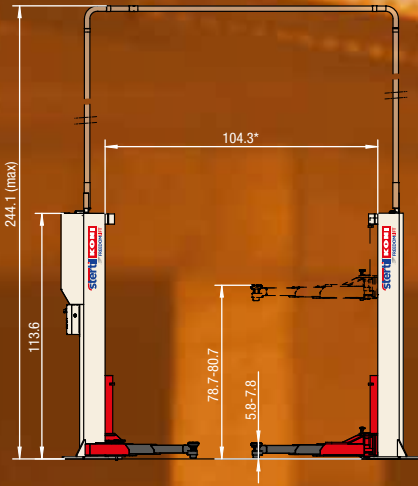
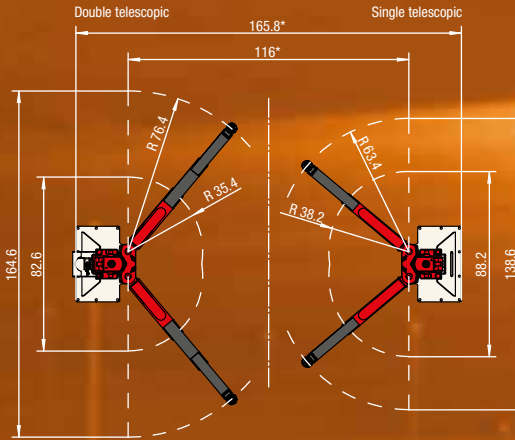
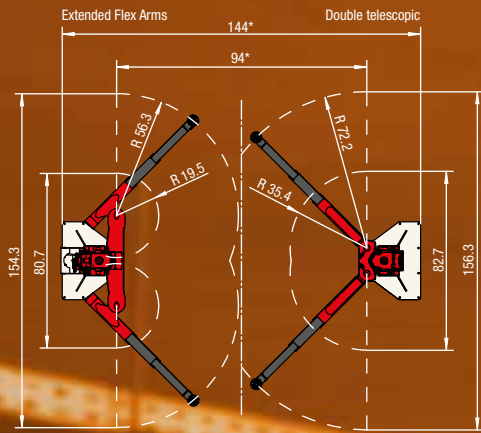


Optional special adaptors

Optional stackable attachments and special adaptors are available for a variety of commercial vehicles, including: Mercedes Sprinter, Volkswagen Crafter, Renault Mascot and others. Please contact your local sales team for the full range of adaptors.

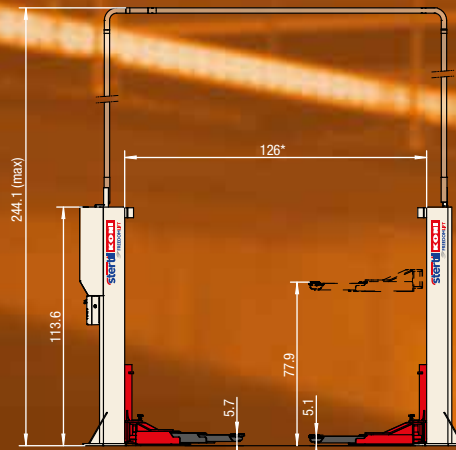
Sliding block system

The FREEDOMLIFT's state-of-the-art sliding block system optimally distributes the load throughout the 2-post construction.



SK 2.16EFA

SK 2.16



SK 2.20-SK 2.26-SK 2.30

*Flexible dimensions

Specifications	SK 2.16EFA	SK 2.16	SK 2.20-22	SK 2.20-33	SK 2.26-22	SK 2.26-33	SK 2.30-22	SK 2.30-33
Lifting capacity	16,000 lbs	16,000 lbs	20,000 lbs	20,000 lbs	26,000 lbs	26,000 lbs	30,000 lbs	30,000 lbs
Lifting height	80.7	80.6	77.9	78.5	77.9	78.5	77.9	78.5
Pick up height	5.9	5.8	5.1	5.7	5.1	5.7	5.1	5.7
Min. single telescopic arm length	n.a.	n.a.	38.2	n.a.	38.2	n.a.	38.2	n.a.
Max. single telescopic arm length	n.a.	n.a.	63.4	n.a.	63.4	n.a.	63.4	n.a.
Min. double telescopic arm length	19.5	35.4	n.a.	35.4	n.a.	35.4	n.a.	35.4
Max. double telescopic arm length	56.3	77.2	n.a.	76.4	n.a.	76.4	n.a.	76.4
Lifting time	58 sec	58 sec	58 sec	58 sec	95 sec	95 sec	95 sec	95 sec
Power output	5 hp	5 hp	5 hp	5 hp	5 hp	5 hp	5 hp	5 hp

More information?

For more information about the FREEDOMLIFT or any other of the products in the Stertil-Koni range, please do not hesitate to contact us directly or via the website. We are happy to advise and assist you on all of your heavy lifting requirements.

*Technical specifications are available at: www.stertil-koni.com



Stertil-Koni U.S.A. Inc.
200 Log Canoe Circle
Stevensville, Maryland 21666
Tel. 410-643-9001
Toll free 800-336-6637
Fax 410-643-8901
www.stertil-koni.com
lifts@stertil-koni.com



A member of the Stertil Group